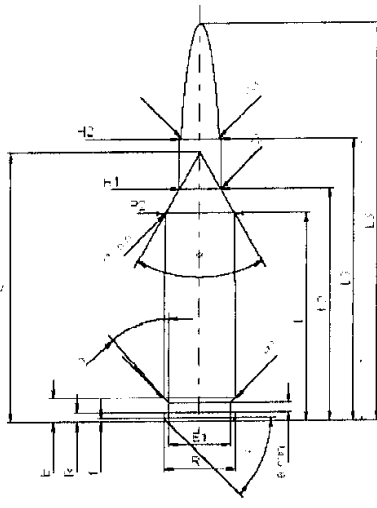


TABLE I	6,5 x 47 Lapua Country of Origin FI		TAB.	
			Date	
			Revision	
	CARTRIDGE MAXI		CHAMBER MINI	
	Lengths L1 " = 35.68 -0.20 L2 " = 39.31 -0.20 L3 " = 47.00 L4 = L5 = L6 = 71.00 Case Head R = 1.37 R1 = 12.01 R3 = E = 3.85 E1 = 10.39 e min = 1.40 J = 36° f = 0.38 β = 45° Powder Chamber P1 = 11.95 P2 " = 11.59 -0.20 Junction Cone α = 60°00'00" S = 45.72 r1 min = 1.00 r2 = 1.50 Collar H1 " = 7.40 H2 " = 7.40 Projectile G1 " = 6.71 G2 = F = L3-G " = 55.70 Pressures (Energies) Method Transducer Pmax = 4350 bar PK = 5003 bar PE = 5438 bar M = 25.00 EE = 3300 Joule Miscellaneous Dimensions Fe " = 0.10 delta L =		Lengths L1 " = 35.57 L2 = 39.19 L3 " = 47.26 Breech R = R1 = 12.04 R2 = R3 = r = Powder Chamber E = 3.85 P1 " = 11.99 P2 " = 11.63 Junction Cone α " = 60°00'00" S = 45.64 r1 max = 0.75 r2 = 1.75 Collar H1 " = 7.45 H2 " = 7.42 Commencement of Rifling G1 " = 6.72 G " = 8.70 α1 = 90° h = 0.35 s = 4.50 r " = 1°30'00" w = Barrel F " = 6.50 Z " = 6.70 Grooves b = 2.29 N = 6 u = 200.00 Q = 34.50 mm ²	
Dimensions in « mm » Dimension and Tolerances for Proof Barrels APPENDIX CR 1		Notes: 1) Check for safety reasons * Basic dimensions		